

Piab gives you service all over the world.
To find your local distributor, please visit www.piab.com.

No need to compromise

www.piab.com

Art. No. 0112197, Rev.05
Piab AB, 2015-08

MANUAL

Vacuum pump P6010 CLASSIC



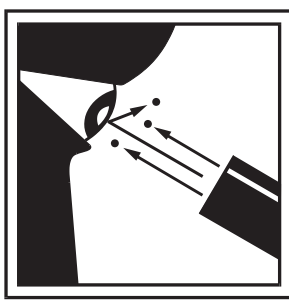
(GB) Safety
(DK) Advarselsymboler
(DE) Warnsymbole
(ES) Señales de advertencia
(FR) Sécurité

(IT) Segnali di avvertenza
(NL) Waarschuwingsymbolen
(NO) Sikkerhet
(PT) Sinais Avisadores
(SE) Säkerhet

(FI) Varoitusmerkit
(ZH) 安全
(PL) Bezpieczeństwo
(RU) Безопасность



- Vacuum force
- Vakuumkraft
- Vakuumkraft
- Fuerza de vacío
- Force d'aspiration
- Potenza di aspirazione
- Vacuumkracht
- Vakuumkraft
- Vácuo ligado
- Vakuumkraft
- Siła ssania
- Voimakas imu
- Сила вакуума
- 真空力



- Exhaust
- Udblæs
- Abluft
- Aire procedente
- Evacuation de l'air
- Aria di scarico
- Uitlaatlucht
- Eksos
- Saida de ar
- Utblås
- Poistoilma
- Wylot
- Выхлоп
- 排気



- Unrestricted exhaust
- Forbudt blokere udblæsningerne
- Abluft nicht blockieren
- Prohibido bloquear la salida del aire
- Interdit de bloquer l'évacuation de l'air
- Lo scarico della pompa non deve essere ostruito
- Pompuitlaat vrijhouden
- Forbudt å blokkere eksos
- O escape da bomba deve ser livre
- Förbjudet blockera utblås
- Ulospuhalluksen esto kielletty
- Nieograniczony wylot
- Неограниченный выхлоп
- 排気口を塞がないで下さい。

(GB) Warranty
(DK) Garanti
(DE) Garantie
(ES) Garantía

(FR) Garantie
(IT) Garanzia
(NL) Garantie
(NO) Garanti

(PT) Garantia
(SE) Garanti
(FI) Takuu
(日) 保証に関して

(GB) The Piab Vacuum Pump has a 5 year warranty against manufacturing defects. The warranty is valid for the vacuum pump only and covers no other costs.

(DK) Piab vakuumpumper har 5 års garanti mod fabrikationsfejl. Garantien gælder kun vakuumpumperne, men ikke andre omkostninger eller fragtomkostninger.

(DE) Bei Herstellungsfehlern an der Piab Vakuumpumpe geben wir 5 Jahre Garantie. Verschleißteile wie z.B. Filter sind ausgeschlossen.

(ES) La bomba de vacío Piab tiene una garantía de 5 años contra defectos de fabricación. La garantía es válida para la bomba de vacío solamente sin cubrir gastos extras.

(FR) La pompe à vide Piab est garantie 5 ans contre les défauts de fabrication. La garantie est valable uniquement pour la pompe, et ne couvre pas d'autres frais, par exemple les frais d'expédition.

(IT) La pompa a vuoto Piab ha 5 anni di garanzia contro i difetti di fabbricazione. La garanzia è valida solo per la pompa a vuoto e non copre altri costi.

(NL) Piab vacuümpompen hebben een garantietermijn tegen fabricagefouten van 5 jaar. De garantie geldt alleen voor de pomp en dekt geen andere kosten.

(NO) Piab Vakuumpumper har 5 års garanti mot fabrikkasjonsfeil. Garantien gjelder kun vakuumpumperne og dekker ikke andre kostnader eller fraktkostnader.

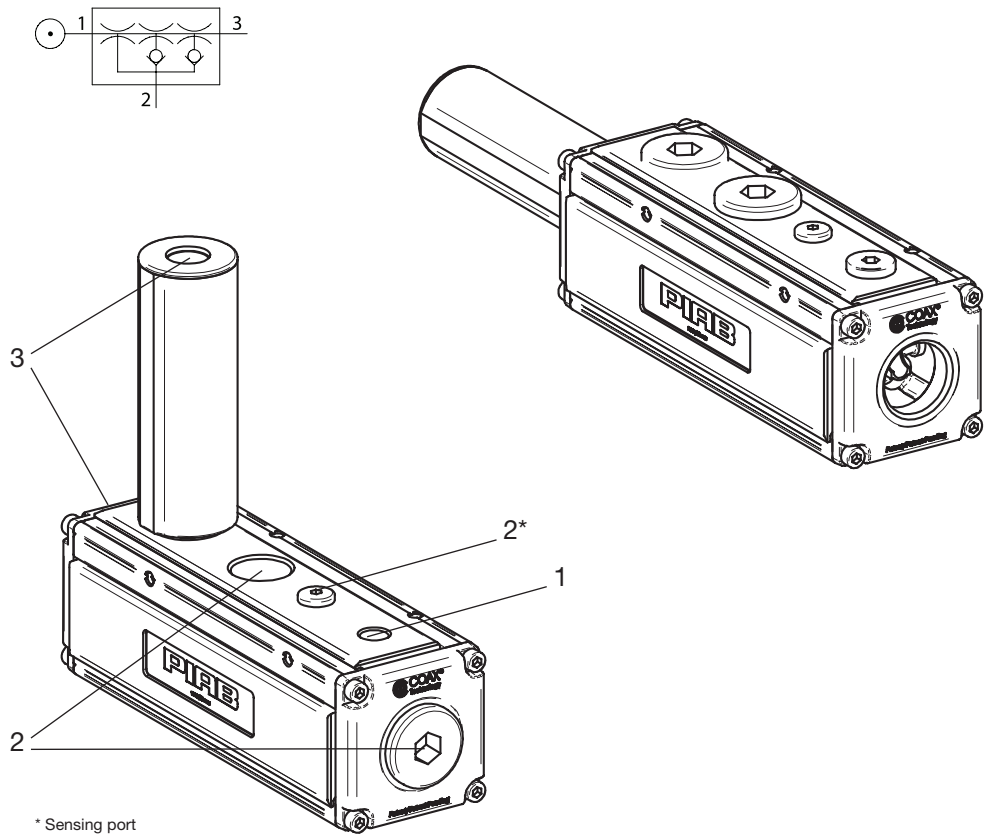
(PT) As bombas de vacío Piab têm 5 anos de garantia contra defeitos de fabrico. A garantia é válida somente para as bombas de vacío não cobrindo outros custos.

(SE) Piab Vakuumpump har 5 års garanti mot fabrikkationsfel. Garantien omfattar enbart vakuumpumper och täcker ej andra kostnader eller fraktkostnader.

(FI) Piab-tyhjöpumpuilla on 5-vuoden takuu koskien valmistusvirheitä. Takuu koskee ainoastaan tyhjöpumpua, eikä peitä muita kustannuksia taikka lähetyskuluja.

(日) ピアブのポンプには製造上の欠陥に限り五年間の保証があります。保証はポンプのみ有効です。

1. INSTALLATION/CONNECTION



RECOMMENDED HOSE DIMENSIONS IN MM [IN.] (INTERNAL DIAMETER)

Connections	COAX® cartridge Pi							
	Pi48-3 x1	Si32-3 x1	Pi48-3 x2	Si32-3 x2	Pi48-3 x3	Si32-3 x3	Pi48-3 x4	Si32-3 x4
1. Compressed air	≥6 [0.24]	≥4 [0.16]	≥8 [0.31]	≥6 [0.24]	≥10 [0.39]	≥8 [0.31]	≥10 [0.39]	≥8 [0.31]
2. Vacuum	≥12 [0.47]	≥12 [0.47]	≥15 [0.59]	≥15 [0.59]	≥19 [0.75]	≥19 [0.75]	≥22 [0.87]	≥22 [0.87]
3. Exhaust	≥15 [0.59]	≥15 [0.59]	≥19 [0.75]	≥19 [0.75]	≥22 [0.87]	≥22 [0.87]	≥25 [0.98]	≥25 [0.98]

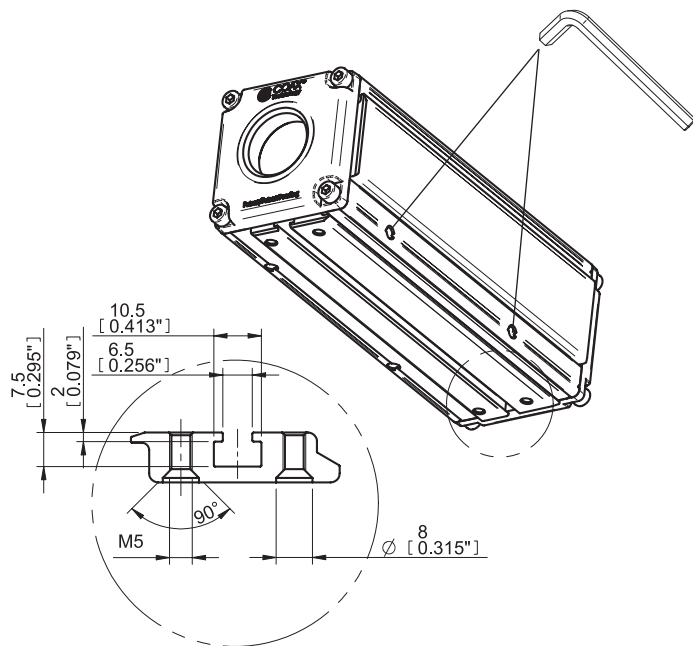
Applies to hoses up to 2 m (6.6 feet) long.

FEED PRESSURE, VACUUM LEVEL AND EXHAUST PRESSURE

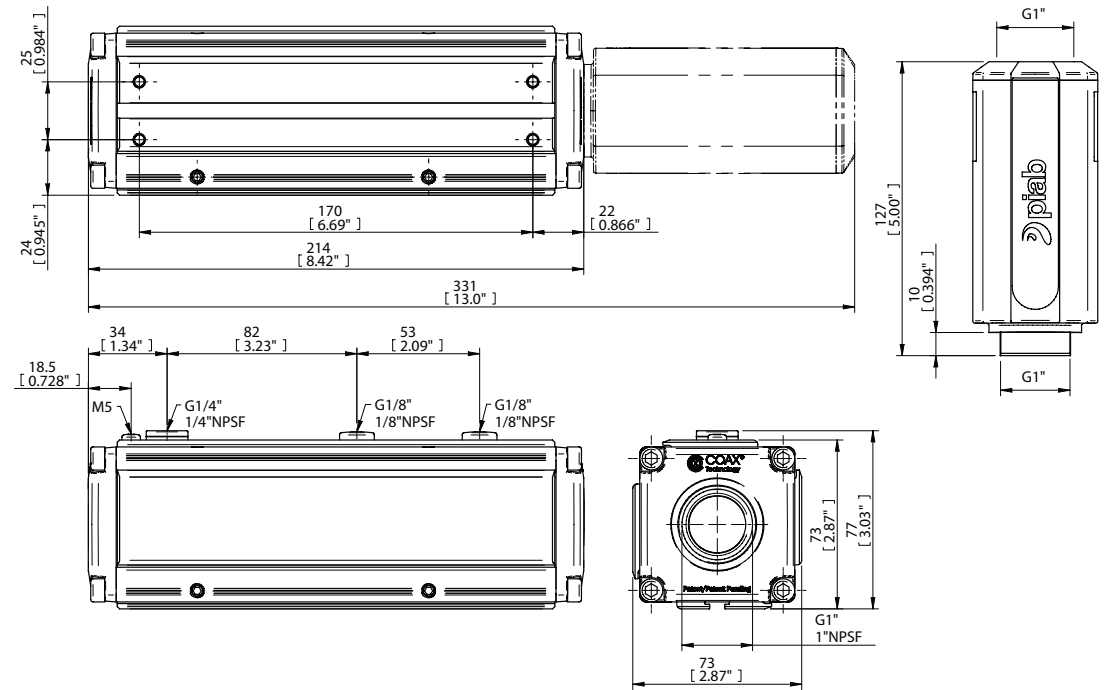
COAX® cartridge	Feed pressure MPa [psi]	Max. vacuum -kPa [-inHg]	Max. exhaust pressure MPa [psi]
Si32-3	0,6 [87]	75 [22.2]	0,07 [10.2]
Pi48-3	0,3-0,6 [43.5-87]	90 [26.6]*	0,14 [20.3]**

* At 0,3 MPa [43.5 psi] ** At 0,6 MPa [87 psi].

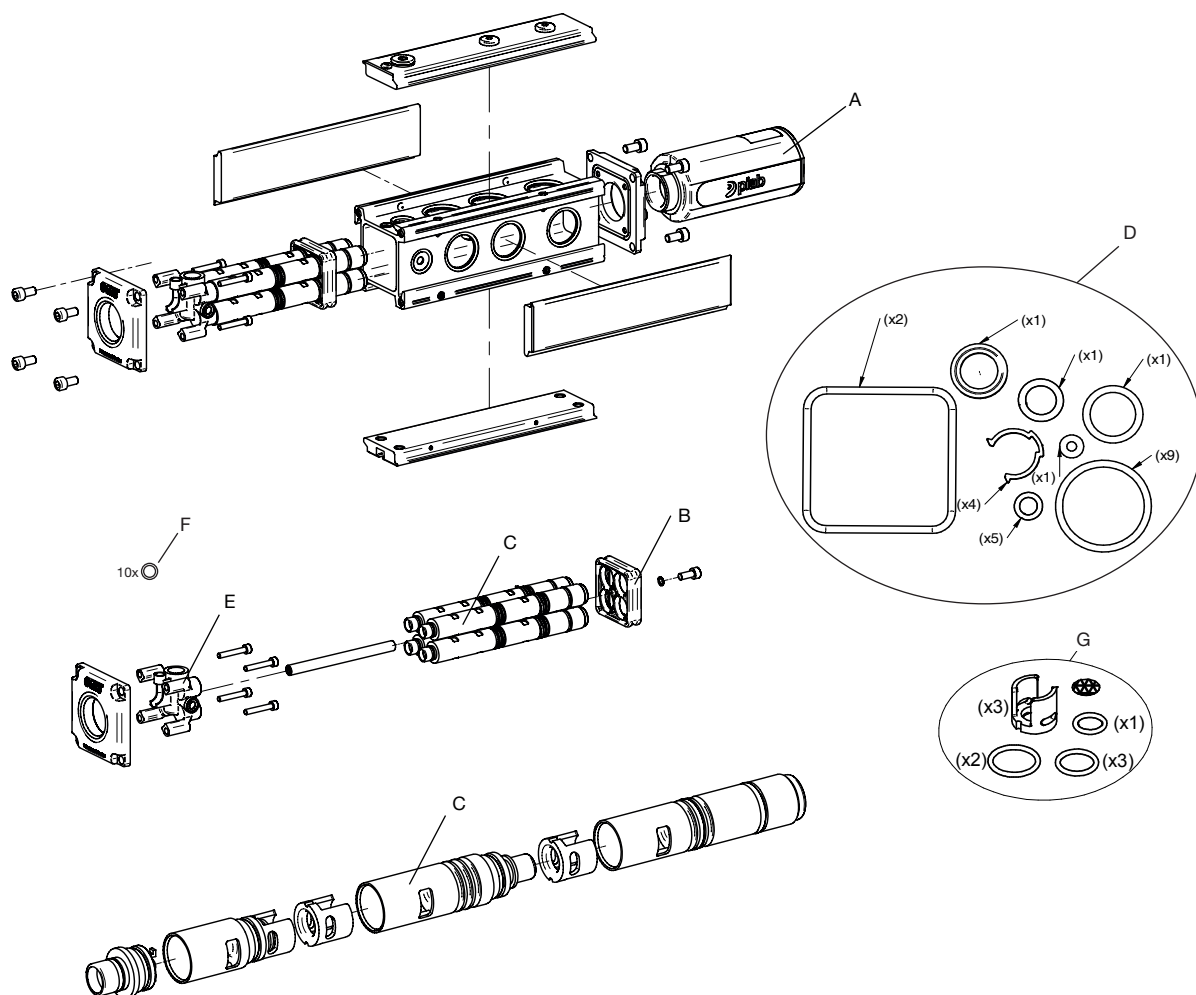
2. MOUNTING



3. DIMENSIONS



4. SPARE PARTS AND ACCESSORIES



Pos.	Description	Art. No.
A	Silencer G1"	0112499
A	Silencer 1" NPSF	0113003
B	Sealing gable P6010	0112497
C	Vacuum Cartridge Pi48-3	0106639
C	Vacuum Cartridge Pi48-3 A	0107714
C	Vacuum Cartridge Si32-3	0107053
C	Vacuum Cartridge Si32-3 A	0107713
C	Vacuum Cartridge Xi40-3	0118724
C	Vacuum Cartridge Xi40-3 A	0118725
C	Blind Cartridge Midi-3	0112527
D	Spare part kit P6010	0112495
E	Air distributor P6010	0111921
F	Compressed air sealing, P6010	0200655
	Vacuummeter 100 -kPa	0112531
	Manometer 250 -kPa	0112533
	Manometer 1 MPa	0112532
G	Spare part kit Midi COAX® NBR	0109531