

# MANUAL

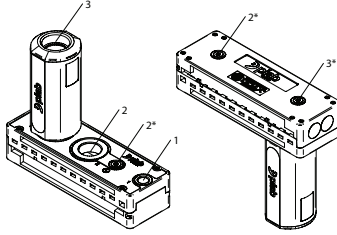
## Vacuum pump piCLASSIC

Pumps delivered after 2012-02-09

“G” rev 2



# 1. Installation/Connections



\*) Sensing ports

## Max. tightening torque

Connection port		
<b>1</b>	15 Nm	11.6 lb ft
<b>2</b>	35 Nm	25.8 lb ft
<b>2*</b>	15 Nm	11.6 lb ft
<b>3</b>	35 Nm	25.8 lb ft
<b>3*</b>	15 Nm	11.6 lb ft

## Recommended hose dimensions in mm [inch] internal diameter

Connections		No. of COAX® cartridges Si32-3, Xi40-3, Pi48-3					
		1		2		3	
<b>1</b>	Compressed air	≥4/6*	[≥0.16/0.24*]	≥6/8*	[≥0.24/0.31*]	≥8/10*	[≥0.31/0.39*]
<b>2</b>	Vacuum	≥12	[≥0.47]	≥15	[≥0.59]	≥19	[≥0.75]
<b>3</b>	Exhaust	≥15	[≥0.59]	≥19	[≥0.75]	≥22	[≥0.87]

Connections		No. of COAX® cartridges Si32-3, Xi40-3, Pi48-3					
		4		5		6	
<b>1</b>	Compressed air	≥8/10*	[≥0.31/0.39*]	≥10	[≥ 0.39]	≥10/12*	[≥0.39/0.47*]
<b>2</b>	Vacuum	≥22	[≥0.87]	≥25	[≥0.98]	≥32	[≥1.26]
<b>3</b>	Exhaust	≥25	[≥0.98]	≥32	[≥1.26]	≥40	[≥1.57]

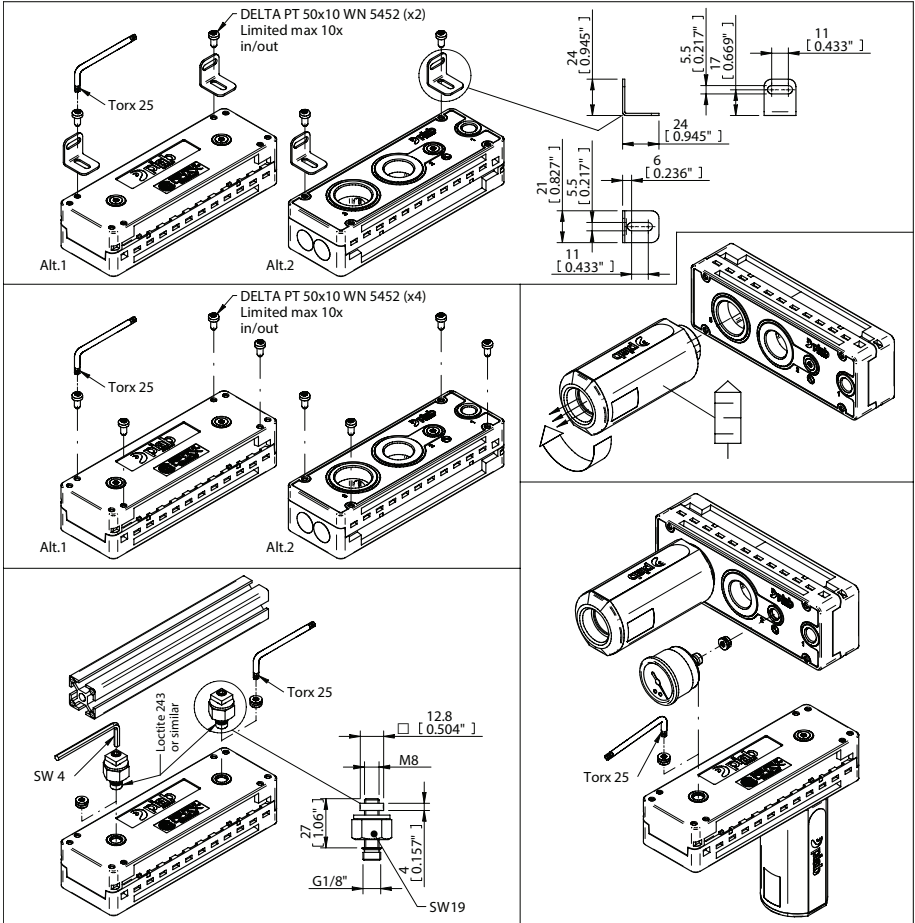
\*) Pi48-3

Applies on hoses up to 2 m [6.6 ft] long.

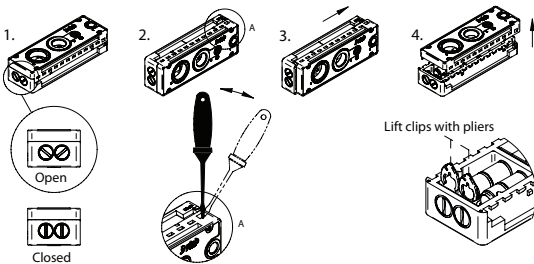
## Feed pressure, vacuum level

COAX® cartridge	Max. feed pressure MPa [psi]	Opt. feed pressure MPa [psi]	Max. vacuum -kPa [-inHg]
<b>Si32-3</b>	0.7 [101.5]	0.6 [87]	75 [22.2]
<b>Pi48-3</b>	0.7 [101.5]	0.3 [44]	90 [27]
<b>Xi40-3</b>	0.7 [101.5]	0.45 [65]	95 [28.1]

## 2a. Mounting

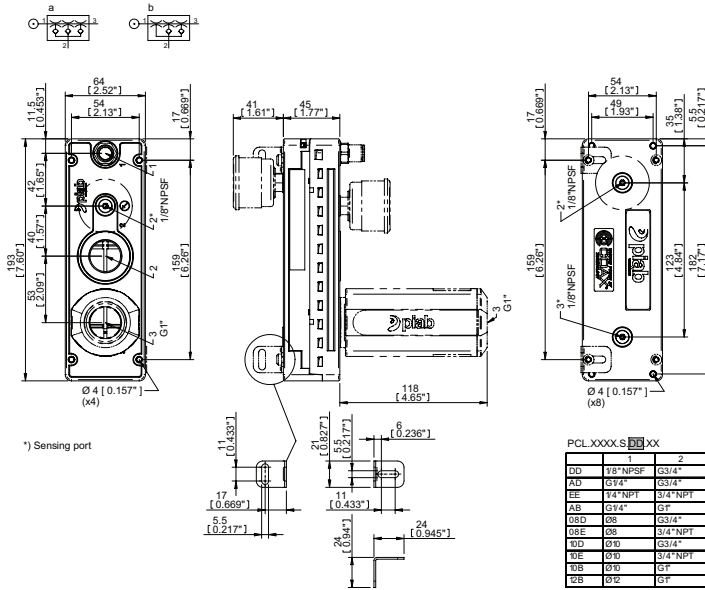


## 2b. Dismounting

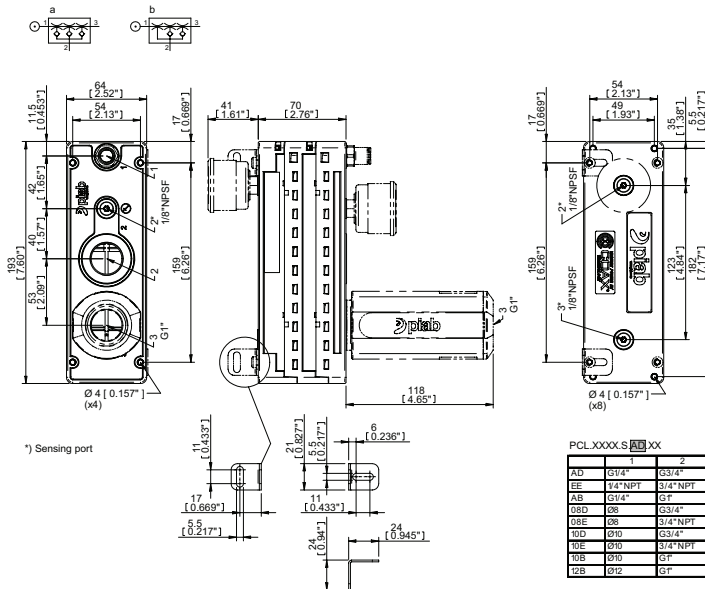


# 3. Dimensions

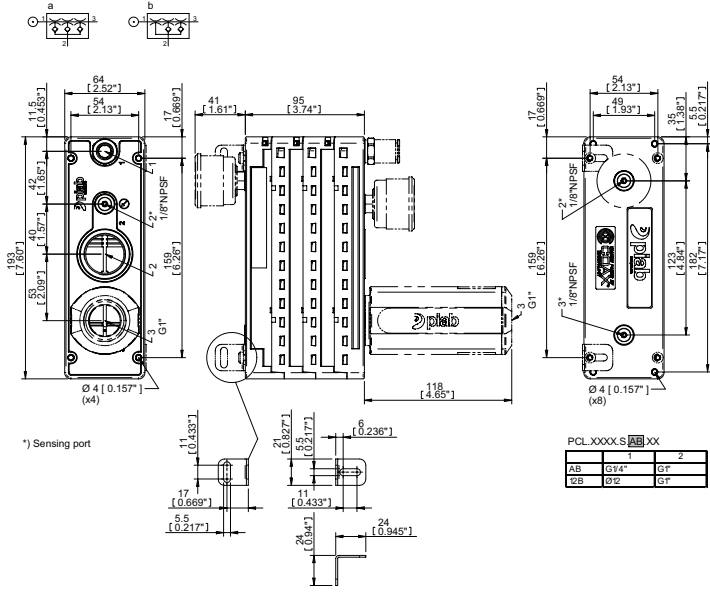
## 1-2 COAX® cartridge MIDI SI32-3, Pi48-3, Xi40-3



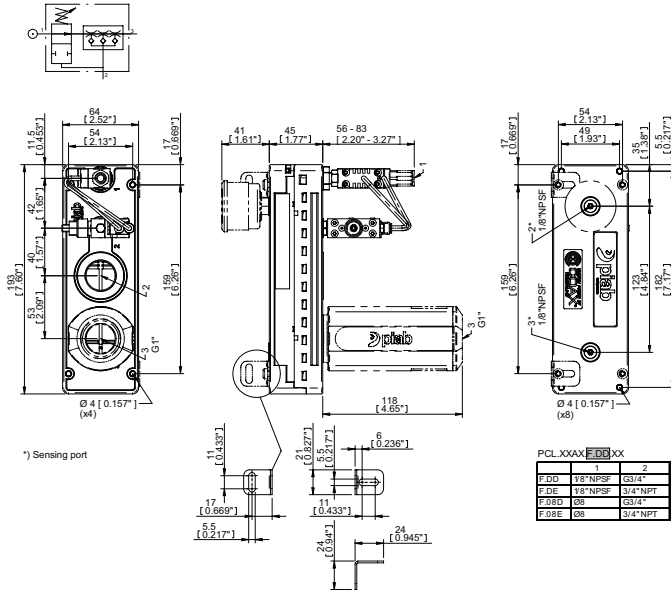
## 3-4 COAX® cartridge MIDI SI32-3, Pi48-3, Xi40-3



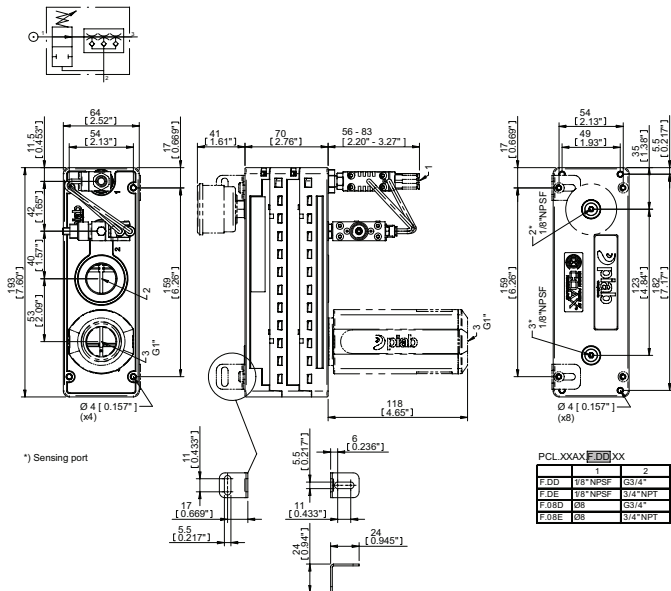
# 5-6 COAX® cartridge MIDI SI32-3, Pi48-3, Xi40-3



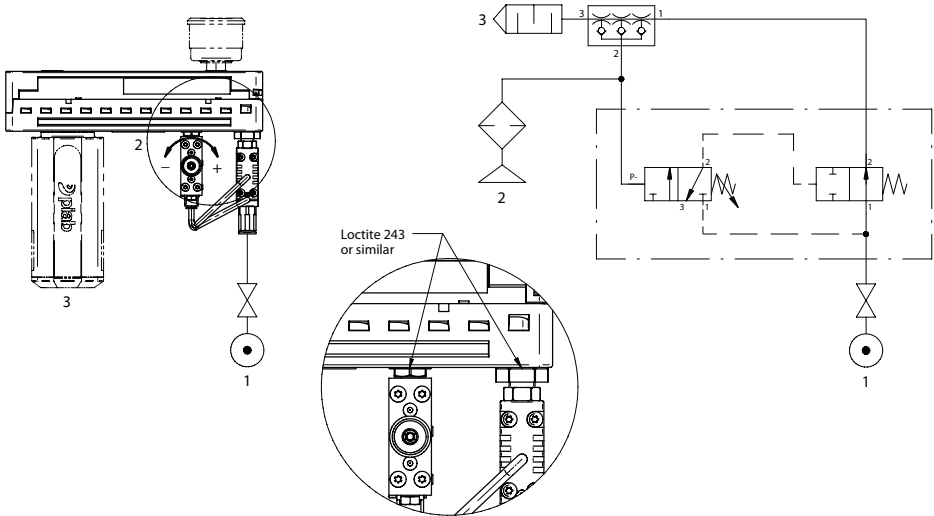
## 1-2 COAX® cartridge MIDI SI32-3 ES, Pi48-3 ES, Xi40-3 ES



## 3-4 COAX® cartridge MIDI SI32-3 ES and 3 COAX® cartridge MIDI Xi40-3 ES



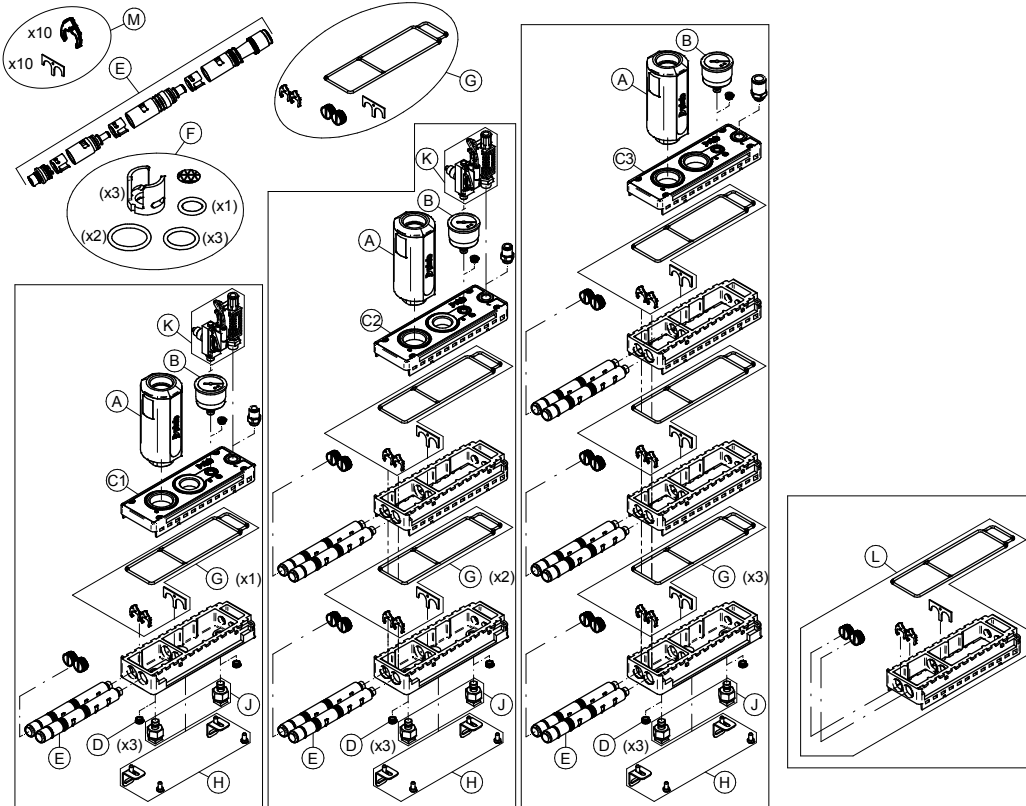
## 4. Option – Energy Saving



### Technical data ES

Description	Unit	Value
Feed pressure, max	MPa [psi]	0.70 [101.5]
Temperature range	°C [F]	-10-60 [14-140]
Hysteresis	kPA [-inHg]	12 [3.5]
Kv, Flow @ P1=0.6 Mpa [87 psi] and Δp=0.1 Mpa [14.5 psi]	NI/s [scfm]	7.8 [16.5]
Life span	Cycles	>10,000,000

# 5. Spare parts & Accessories



1-2 COAX® cartridge MIDI 3-4 COAX® cartridge MIDI 5-6 COAX® cartridge MIDI Body, intermediate kit



<b>Pos.</b>	<b>Description</b>	<b>Art. No.</b>
A	Silencer G1"	0112499
B	Vacuum gauge -100 kPa	0112531
C1	Connection plate 1/8"NPSF, G3/4"	0125611
C1, C2	Connection plate G1/4", G3/4"	0125608
C1, C2	Connection plate 1/4"NPT, 3/4"NPT	0125609
C1, C2, C3	Connection plate G1/4", G1"	0125610
D	Plug low G1/8" T25 w. o-ring, Plastic	0124534
E	COAX® cartridge MIDI Pi48-3 Nitrile	0106639
E	COAX® cartridge MIDI Pi48-3 Viton	0117286
E	COAX® cartridge MIDI Pi48-3 A Nitrile	0107714
E	COAX® cartridge MIDI Pi48-3 A Viton	0124806
E	COAX® cartridge MIDI Si32-3 Nitrile	0107053
E	COAX® cartridge MIDI Si32-3 Viton	0114989
E	COAX® cartridge MIDI Si32-3 A Nitrile	0107713
E	COAX® cartridge MIDI Si32-3 A Viton	0122176
E	COAX® cartridge MIDI Xi40-3 Nitrile	0118724
E	COAX® cartridge MIDI Xi40-3 Viton	0124794
E	COAX® cartridge MIDI Xi40-3 A Nitrile	0118725
E	COAX® cartridge MIDI Xi40-3 A Viton	0124796
E	Blind cartridge MIDI-3 Nitrile	0112527
E	Blind cartridge MIDI-3 Viton	0117749
F	Spare part kit Midi COAX®, NBR	0109531
F	Spare part kit Midi COAX®, Viton	0124897
G	Spare part kit piCLASSIC, NBR rev 2	0125615
H	Mounting bracket/screw piCLASSIC	0124869
J	Mounting kit M8/27, profile (option)	0125073
K	ES-kit piCLASSIC G1/8"-1/4" (option)	0124811
L	Body, intermediate kit	0126251
M	Clips kit	0200659

(GB) Safety  
(DK) Advarselsymboler  
(DE) Warnsymbole  
(ES) Señales de advertencia

(FR) Sécurité  
(IT) Segnali di avvertenza  
(NL) Waarschuwings-  
symbolen  
(NO) Sikkerhet

(PT) Sinais Avisadores  
(SE) Säkerhet  
(FI) Varoitusmerkit



- Vacuum force
- Vakuumkraft
- Vakuumkraft
- Fuerza de vacío
- Force d'aspiration
- Potenza di aspirazione
- Vacuumkracht
- Vakuumkraft
- Vácuo ligado
- Vakuumkraft
- Voimakas imu
- 真空力

- Exhaust
- Udblæs
- Abluft
- Aire procedente
- Evacuation de l'air
- Aria di scarico
- Uitlaatlucht
- Eksos
- Saida de ar
- Utblås
- Poistoilma
- 排気

- Unrestricted exhaust
- Forbudt blokere udblæsningen
- Abluft nicht blockieren
- Prohibido bloquear la salida del aire
- Interdit de bloquer l'évacuation de l'air
- Lo scarico della pompa non deve
- essere ostruito
- Pompuitlaat vrijhouden
- Forbudt å blokkere eksos
- O escape da bomba deve ser livre
- Förbjudet blockera utblås
- Ulospuhalluksen esto kielletty
- 排気口を塞がないで下さい。

**(GB) Warranty**  
**(DK) Garanti**  
**(DE) Garantie**  
**(ES) Garantía**

**(FR) Garantie**  
**(IT) Garanzia**  
**(NL) Garantie**  
**(NO) Garanti**

**(PT) Garantia**  
**(SE) Garanti**  
**(FI) Takuu**  
**(日) 保証に関して**

(GB) The Piab Vacuum Pump has a 5 year warranty against manufacturing defects. The warranty is valid for the vacuum pump only and covers no other costs.

(DK) Piab vakuumpumper har 5 års garanti mod fabrikationsfejl. Garantien gælder kun vakuumpumperne, men ikke andre omkostninger eller fragtomkostninger.

(DE) Bei Herstellungsfehlern an der Piab Vakuumpumpe geben wir 5 Jahre Garantie. Verschleißteile wie z.B. Filter sind ausgeschlossen.

(ES) La bomba de vacío Piab tiene una garantía de 5 años contra defectos de fabricación. La garantía es válida para la bomba de vacío solamente sin cubrir gastos extras.

(FR) La pompe à vide Piab est garantie 5 ans contre les défauts de fabrication. La garantie est valable uniquement pour la pompe, et ne couvre pas d'autres frais, par exemple les frais d'expédition.

(IT) La pompa a vuoto Piab ha 5 anni di garanzia contro i difetti di fabbricazione. La garanzia è valida solo per la pompa a vuoto e non copre altri costi.

(NL) Piab vacuümpompen hebben een garantietermijn tegen fabricagefouten van 5 jaar. De garantie geldt alleen voor de pomp en dekt geen andere kosten.

(NO) Piab Vakuumpumper har 5 års garanti mot fabriksjonsfeil. Garantien gjelder kun vakuumpumpen og dekker ikke andre kostnader eller fraktkostnader.

(PT) As bombas de vacuo Piab têm 5 anos de garantia contra defeitos de fabrico. A garantia é válida somente para as bombas de vacuo não cobrindo outros custos.

(SE) Piab Vakuumpump har 5 års garanti mot fabriksionsfel. Garantien omfattar enbart vakuumpumpen och täcker ej andra kostnader eller fraktkostnader.

(FI) Piab-tyhjöpumpuilla on 5-vuoden takuu koskien valmistusvirheitä. Takuu koskee ainoastaan tyhjöpumpua, eikä peitä muita kustannuksia taikka lähetyskuluja.

(日) ピアブのポンプには製造上の欠陥に限り五年間の保証があります。保証はポンプのみ有効です。



**Piab gives you service all over the world.  
To find your local distributor, please visit [www.piab.com](http://www.piab.com).**

**No need to compromise**

**[www.piab.com](http://www.piab.com)**