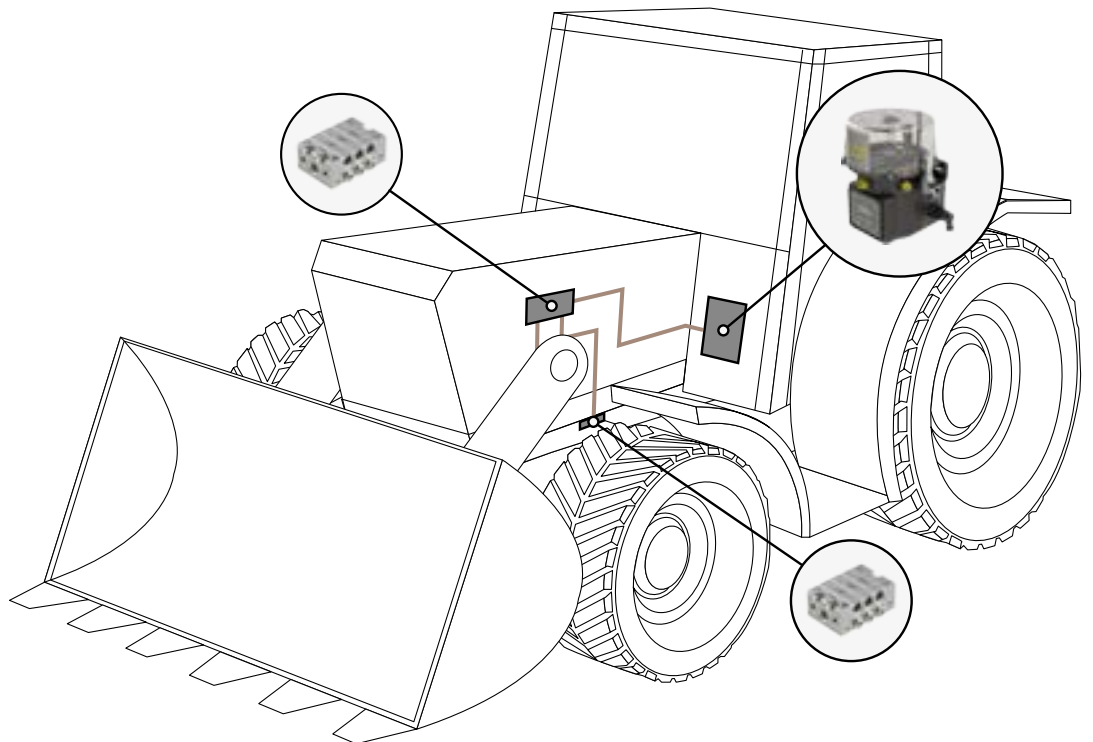


lubrication systems



# ESYSTEM

Centralized Lubrication Systems  
for Construction Machinery



# INDEX OF CONTENT

## E-System

45° Adapter M-F	10
Cabine Push Button	11
Check Valves	7
Clamps and Straps	9
Connectors	9
Divider Accessories	7
DPL	6
DPX	5
Elbow Adapter M-F	10
Extension Pieces M-F	10
Grease Nipples	11
Greasing Block 1/8"	11
Greasing Block M10x1	11
Hose fittings	8
Hoses	8
ILC MAX	3
Inlet / Outlet Fittings	7
MINI-MAX	4
Point Fittings	10
Protections	9
Round Balers	2
Welding Protection	11
"Z" Mounting Plate	11

## ILC MAX

## How to build the Part N.



| 40 | . | 4 | . | 24DC | . | FCT | . | G |



### A (Reservoir)

2	2 kg
4	4 kg
8	10 kg

### C (Pumping Element)

F	Fixed
R	Adjustable

### D (Timer)

CT	with timer
ST	without timer

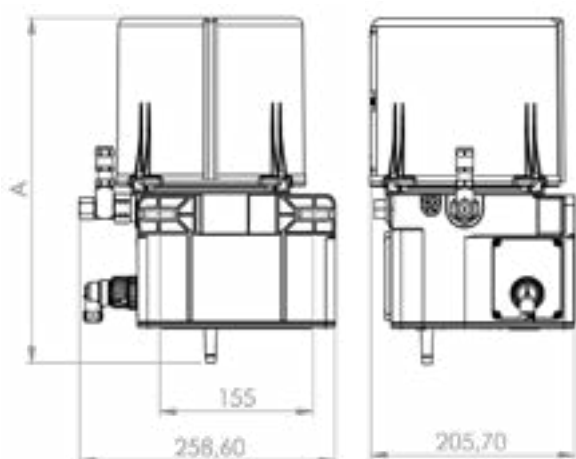
### B (Voltage)

12DC	12 V DC
24DC	24 V DC
24AC	24 V AC
115V	115 V AC
230V	230 V AC

### E (Lubricant)

G	Grease
O	Oil
S	Soft Grease

## Dimensions



### A (height)

2 kg	277,60 mm
4 kg	349,60 mm
10 kg	543,10 mm

## Cables

Lenght	4 Poles	7 Poles
5 m	40.CBL.4.05	40.CBL.7.05
10 m	40.CBL.4.10	40.CBL.7.10
15 m	40.CBL.4.15	40.CBL.7.15

## Outlet Fittings Ø 6 mm

FH.040.102	Elbow
FH.040.002	Straight

## Fixing Screws (order 2 of each one)

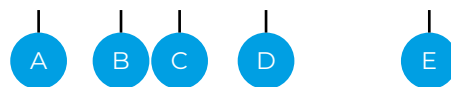
UNI5931-M8x30	Screw
UNI7473-M08	Nut
UNI1734-D08	Washer

MINI-MAX

How to build the Part N.

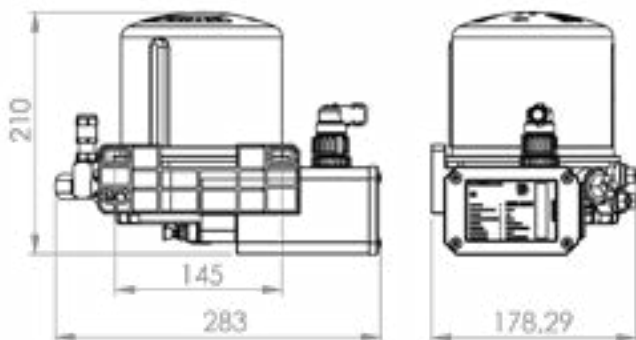


| 39 | . | 12 | . | T L | . | F R | . | AAAAAAAAAA |



A (Voltage)		D (Metering Pump. Elem.)	
12	12 V DC	F	Fixed
24	24 V DC	R	Adjustable
		X	No Elem.
B (Timer)		E (Pumping elements)	
T	with timer	A	Metering 5 mm <sup>3</sup>
X	without timer	B	Metering 10 mm <sup>3</sup>
		C	Metering 15 mm <sup>3</sup>
		D	Metering 25 mm <sup>3</sup>
		E	Metering 50 mm <sup>3</sup>
C (Electrical level)			
L	with level		
X	without level		

Dimensions



Cables

Lenght	4 Poles	7 Poles
5 m	40.CBL.4.05	40.CBL.7.05
10 m	40.CBL.4.10	40.CBL.7.10
15 m	40.CBL.4.15	40.CBL.7.15

Outlet Fittings Ø 6 mm

FH.040.102	Elbow
FH.040.002	Straight

Fixing Screws (order 2 of each one)

UNI5931-M8x30	Screw
UNI7473-M08	Nut
UNI1734-D08	Washer

## DPX



## Segments

Tie Rods	N° of Elements	Length (mm)
2.TR.03	3	45
2.TR.04	4	60
2.TR.05	5	75
2.TR.06	6	90
2.TR.07	7	105
2.TR.08	8	120
2.TR.09	9	135
2.TR.10	10	150
2.TR.11	11	165
2.TR.12	12	180

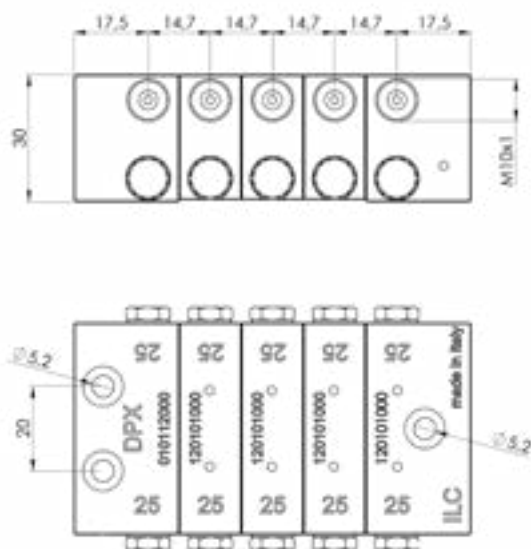
## Metering Elements

Discharge	Inlet	Intermediate	End
25 mm <sup>3</sup>	2.A.025.D.1N	2.B.025.D.1N	2.C.025.D.1N
45 mm <sup>3</sup>	2.A.045.D.1N	2.B.045.D.1N	2.C.045.D.1N
75 mm <sup>3</sup>	2.A.075.D.1N	2.B.075.D.1N	2.C.075.D.1N
105 mm <sup>3</sup>	2.A.105.D.1N	2.B.105.D.1N	2.C.105.D.1N

## Metering Elements with Visual Pin

Discharge	Inlet	Intermediate	End
45 mm <sup>3</sup>	2.A.045.D.2V	2.B.045.D.2V	2.C.045.D.2V
75 mm <sup>3</sup>	2.A.075.D.2V	2.B.075.D.2V	2.C.075.D.2V
105 mm <sup>3</sup>	2.A.105.D.2V	2.B.105.D.2V	2.C.105.D.2V

## Dimensions



## Cables

Lenght	M8x1 Straight	M12x1 Elbow	M12x1 Straight
5 m	A91.111227	A91.111441	A91.111349
10 m	A91.111348	A91.111552	A91.111296
15 m	A91.111393	A91.111318	A91.111350

## Sensor Kit (PNP NA)

With Cable (2 m)	49.052.5
M8 x 1	49.052.7
M12 x 1	49.052.9

## Fixing Screws (order 2 of each one)

UNI5931-M5x40	Screw
UNI7473-M05	Nut
UNI8842A-D05	Washer

DPL

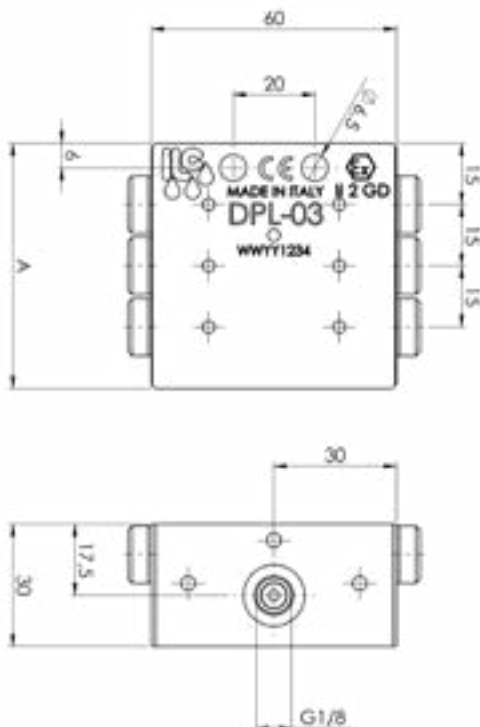


Outlets	Standard	Visual Pin
6	4.1N.03	4.2V.03
8	4.1N.04	4.2V.04
10	4.1N.05	4.2V.05
12	4.1N.06	4.2V.06
14	4.1N.07	4.2V.07
16	4.1N.08	4.2V.08
18	4.1N.09	4.2V.09
20	4.1N.10	4.2V.10

Complete of Inductive Sensor

Outlets	M8x1	M12x1
6	4.3I.8.03	4.3I.12.03
8	4.3I.8.04	4.3I.12.04
10	4.3I.8.05	4.3I.12.05
12	4.3I.8.06	4.3I.12.06
14	4.3I.8.07	4.3I.12.07
16	4.3I.8.08	4.3I.12.08
18	4.3I.8.09	4.3I.12.09
20	4.3I.8.10	4.3I.12.10

Dimensions



Cables

Lenght	M8x1 Straight	M12x1 Elbow	M12x1 Straight
5 m	A91.111227	A91.111441	A91.111349
10 m	A91.111348	A91.111552	A91.111296
15 m	A91.111393	A91.111318	A91.111350

Sensor Kit (PNP NA)

With Cable (2 m)	49.052.5
M8 x 1	49.052.7
M12 x 1	49.052.9

Fixing Screws (order 2 of each one)

UNI5931-M6x40	Screw
UNI7473-M06	Nut
UNI8842A-D06	Washer

Inlet / Outlet Fittings



Inlet				Outlet			
Straight	Elbow	Tube Ø 6	Divider	With Check Valve	No Check Valve	Tube Ø 6	Divider
FH.040.001	FH.040.101	1/8" BSP	DPX/DPL	FH.040.201	FH.040.006	M10x1	DPX
FH.040.006	FH.040.106	M10x1	DPX	14.052.0	03.222.1.06	M10x1	DPL

Check Valves



Inlet			Outlet		
Check Valve	Thread	Divider	Check Valve	Thread	Divider
14.050.3	1/8" BSP	DPX/DPL	14.050.8	M10x1 (F)	DPX
14.050.4	M10x1 (F)	DPX	03.222.2.CV	M10x1	DPL

Divider Accessories



DPX Plug		DPL Plug	
Part N.	Thread	Next Outlet Plug	Other Side Plug
A70.093229	M10x1	05.026.1	05.026.0



DPX Bridges		Banjo		
Without Outlet	With Outlet	Part N.	Thread	Divider
09.600.3	09.600.4	03.355.5	1/8" BSP	DPX/DPL
		03.355.6	M10x1	

Hose fittings



Sleeve			Stud 45°		
Part N.	L	Key	Part N.	L	Key
FH.020.001		SW12	FH.030.202	25 mm	SW10



Stud Straight			Stud Elbow		
Part N.	L	Key	Part N.	L	Key
FH.030.002	30 mm	SW10	FH.030.101	37 mm	SW10

Hoses



High Pressure 8.6 x 4 mm (min. 100 m)		Polyamide 6 x 3 mm (min. 100 m)		Steel Tube (6 m)	
Part N.	Fluid	Part N.	Fluid	Part N.	Ø
FH.010.002	NLG12 Full	30.161.0.NP	NLG12 Full	ZZZTC6/4/1	Ø 6 mm
FH.010.001	Empty	30.155.3.N	Empty	ZZZTC10/5/2.5	Ø 10 mm



Protections



Helix Protection (min. 50 m)		Flexible Conduit (min. 50 m)		Metallic Protection (6 m)	
ZZZ100-040	Ø 6 mm	ZZZ1212079	Ø 6.9 mm	ZZZ00208210	Ø 6 mm
ZZZ100-041	Ø 11.5 mm				

Clamps and Straps

Connectors



Hose Clamps		Hose Strap		Hose-Hose Connector	
Part N.	Size	Part N.	Length	Part N.	Thread
ZZZ100-606	Ø 6 mm	A91.111273	380 mm	FH.050.001	Ø 6 mm
ZZZ100-608	Ø 8 mm	A91.111274	200 mm	ZZZ106-000-10-L	Ø 6 mm - 10 mm
ZZZ100-610	Ø 10 mm				
ZZZ100-612	Ø 12 mm				
ZZZ100-614	Ø 14 mm				
ZZZ100-616	Ø 16 mm				
ZZZ100-618	Ø 18 mm				
ZZZ100-620	Ø 20 mm				
Fixing					
UNI5931-M6x20	Screw				
UNI1734-D06	Washer				
UNI7473-M06	Nut				

Point Fittings



Straight		Tube Ø 6	Elbow		Tube Ø 6
FH.040.003		M6x1	FH.040.103		M6x1
FH.040.004		M8x1	ZZZ106-102		M8x1
FH.040.006		M10x1	FH.040.106		M10x1
FH.040.001		1/8"	FH.040.101		1/8"
FH.040.002		1/4"	FH.040.102		1/4"

Elbow Adapter M-F

Extension Pieces M-F



ZZZ100-721	M6x1 - M8x1	ZZZ100-130	M8x1-M8x1	18 mm
ZZZ100-722	M8x1 - M8x1	ZZZ100-137	M8x1-M10x1	23 mm
ZZZ100-723	M10x1 - M8x1	ZZZ100-140	M10x1-M8x1	18 mm
ZZZ100-724	1/8" - M8x1	ZZZ100-141	M10x1-M10x1	23 mm
ZZZ100-733	M10x1 - M10x1	ZZZ100-142	M10x1-M10x1	18 mm
ZZZ100-744	1/8" - 1/8"	ZZZ100-143	M10x1-M10x1	40 mm

45° Adapter M-F



ZZZ100-822	M8x1 - M8x1
ZZZ100-833	M10x1 - M10x1
ZZZ100-844	1/8" - 1/8"

ZZZ100-145	M10x1-M10x1	35 mm
ZZZ100-146	M10x1-M10x1	50 mm
ZZZ100-148	1/8" - 1/8"	23 mm
ZZZ100-149	1/8" - 1/8"	35 mm
ZZZ100-151	1/8" - M10x1	18 mm
ZZZ100-152	1/8" - 1/8"	18 mm
ZZZ100-153	1/8" - 1/8"	50 mm

Greasing Block 1/8"



Greasing Block M10x1



Part N.	Outlets
01.110.1	1
01.110.2	2
01.110.3	3
01.110.4	4
01.110.5	5
01.110.6	6
01.110.7	7
01.110.8	8

Part N.	Outlets
ZZZ100-211	1
ZZZ100-212	2
ZZZ100-213	3
ZZZ100-214	4
ZZZ100-215	5
ZZZ100-216	6
ZZZ100-217	7
ZZZ100-218	8

Grease Nipples



Cabine Push Button



Straight	Thread
A70.078422	1/8" BSP
A70.078440	M10x1
A70.078452	1/4" BSP

Part N.	Voltage
40.PSG.12	12 V DC
40.PSG.24	24 V DC

Welding Protection



"Z" Mounting Plate



08.111.0

08.112.0

I.L.C. srl - Via Garibaldi, 149 - 20155 Gorla Minore - Italy  
Phone +39 0331 601697 - Fax +39 0331 602001 - [www.ilclube.com](http://www.ilclube.com) - [info@ilclube.it](mailto:info@ilclube.it)

