

Piab gives you service all over the world.
To find your local distributor, please visit www.piab.com.

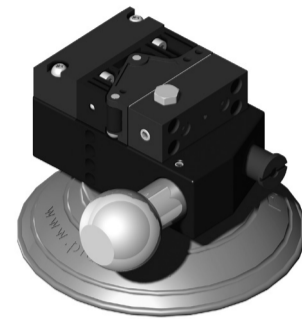
No need to compromise

www.piab.com

Art. No. 0120987, Rev.4
Piab AB, 2013-10 / Printed in Sweden by Elanders

MANUAL

VGS™3040



(GB) Safety
(DK) Advarselsymboler
(DE) Warnsymbole
(ES) Señales de advertencia

(FR) Sécurité
(IT) Segnali di avvertenza
(NL) Waarschuwingsymbolen
(NO) Sikkerhet

(PT) Sinais Avisadores
(SV) Säkerhet
(FI) Varoitusmerkit
(日) 安全性に関して

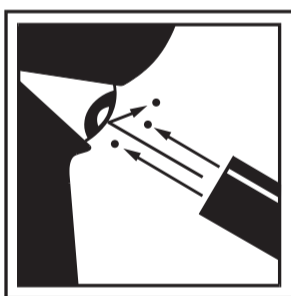
(GB) Warranty
(DK) Garanti
(DE) Garantie
(ES) Garantía

(FR) Garantie
(IT) Garanzia
(NL) Garantie
(NO) Garanti

(PT) Garantia
(SE) Garanti
(FI) Takuu
(日) 保証に関して



- Vacuum force
- Vakuumkraft
- Vakuumkraft
- Fuerza de vacío
- Force d'aspiration
- Potenza di aspirazione
- Vacuumkracht
- Vakuumkraft
- Vácuo ligado
- Vakuumkraft
- Voimakas imu
- 真空力



- Exhaust
- Udblæs
- Abluft
- Aire procedente
- Evacuation de l'air
- Aria di scarico
- Uitlaatlucht
- Eksos
- Salida de ar
- Utblås
- Poistoilma
- 排気



- Unrestricted exhaust
- Forbudt blokere udblæsningen
- Abluft nicht blockieren
- Prohibido bloquear la salida del aire
- Interdit de bloquer l'évacuation de l'air
- Lo scarico della pompa non deve essere ostruito
- Pompuitlaat vrijhouden
- Forbudt å blokkere eksos
- O escape da bomba deve ser livre
- Förbjudet blockera utblås
- Ulospuhalluksen esto kielletty
- 排気口を塞がないで下さい。

(GB) The Piab Vacuum Pump has a 5 year warranty against manufacturing defects. The warranty is valid for the vacuum pump only and covers no other costs.

(DK) Piab vakuumpumper har 5 års garanti mod fabriktionsfejl. Garantien gælder kun vakuumpumperne, men ikke andre omkostninger eller fragtomkostninger.

(DE) Bei Herstellungsfehlern an der Piab Vakuumpumpe geben wir 5 Jahre Garantie. Verschleißteile wie z.B. Filter sind ausgeschlossen.

(ES) La bomba de vacío Piab tiene una garantía de 5 años contra defectos de fabricación. La garantía es válida para la bomba de vacío solamente sin cubrir gastos extras.

(FR) La pompe à vide Piab est garantie 5 ans contre les défauts de fabrication. La garantie est valable uniquement pour la pompe, et ne couvre pas d'autres frais, par exemple les frais d'expédition.

(IT) La pompa a vuoto Piab ha 5 anni di garanzia contro i difetti di fabbricazione. La garanzia e' valida solo per la pompa a vuoto e non copre altri costi.

(NL) Piab vacuümpompen hebben een garantietermijn tegen fabricagefouten van 5 jaar. De garantie geldt alleen voor de pomp en dekt geen andere kosten.

(NO) Piab Vakuumpumper har 5 års garanti mot fabriktionsfeil. Garantien gjelder kun vakuumpumpen og dekker ikke andre kostnader eller fraktkostnader.

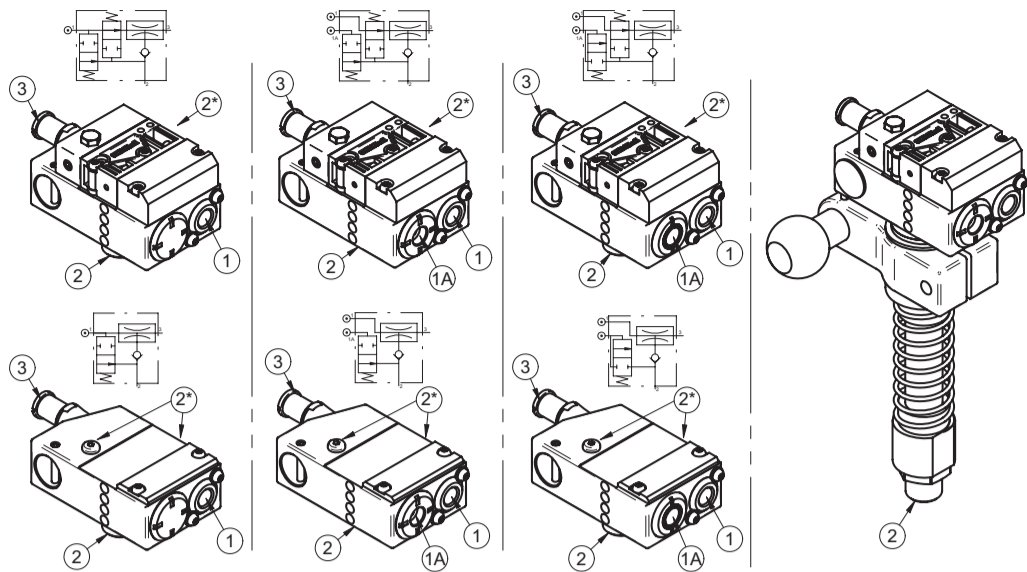
(PT) As bombas de vacuo Piab têm 5 anos de garantia contra defeitos de fabrico. A garantia e' válida somente para as bombas de vacuo não cobrindo outros custos.

(SE) Piab Vakuumpump har 5 års garanti mot fabriktionsfel. Garantien omfattar enbart vakuumpumpen och täcker ej andra kostnader eller fraktkostnader.

(FI) Piab-tyhjöpumpuilla on 5-vuoden takuu koskien valmistusvirheitä. Takuu koskee ainoastaan tyhjöpumpua, eikä peitä muita kustannuksia taikka lähetyskuluja.

(日) ピアブのポンプには製造上の欠陥に限り五年間の保証があります。保証はポンプのみ有効です。

1. INSTALLATION / CONNECTIONS



RECOMMENDED HOSE DIMENSIONS IN MM [IN] (INTERNAL DIAMETER)

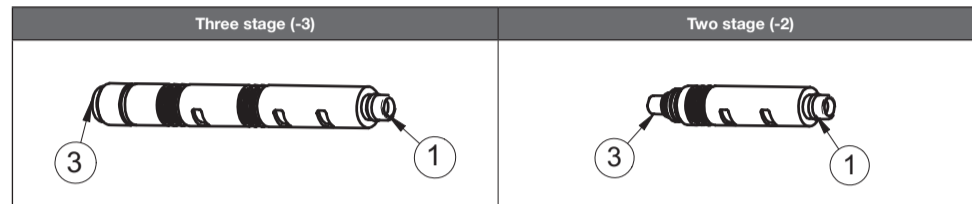
		COAX® Cartridge		
	Connections	Pi12-2 / Pi12-3	Si08-2/Si08-3	Xi10-2 / Xi10-3
1	Compressed air	> 4 [0.16]	> 4 [0.16]	> 4 [0.16]
2	Vacuum	> 8 [0.31]	> 8 [0.31]	> 8 [0.31]
3	Exhaust	> 10 [0.39]	> 10 [0.39]	> 10 [0.39]

*Applies to hoses up to 2m (6.6 feet) long.

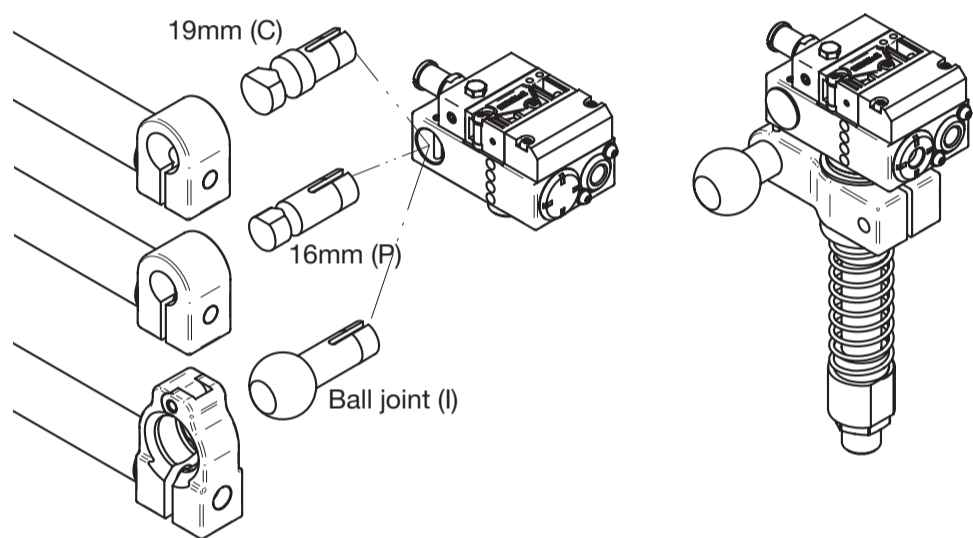
FEED PRESSURE, VACUUM LEVEL AND EXHAUST PRESSURE

COAX® Cartridge	Feed pressure MPa [psi]	Max. vacuum -kPa [inHg]	Max. exhaust pressure MPa[psi]
Pi12-2 / Pi12-3	0.314 [45.5]	90 [26.6]	0.14 [20.3]
Si08-2 / Si08-3	0.6 [87]	75 [22.1]	0.07 [10.2]
Xi10-2 / Xi10-3	0.45 [65.3]	94 [27.8]	0.09 [13.1]

Vacuum sensing	Blow off	Compressed air	Vacuum	Exhaust
2*	1A	1	2	3

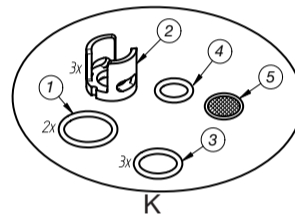


2. MOUNTING

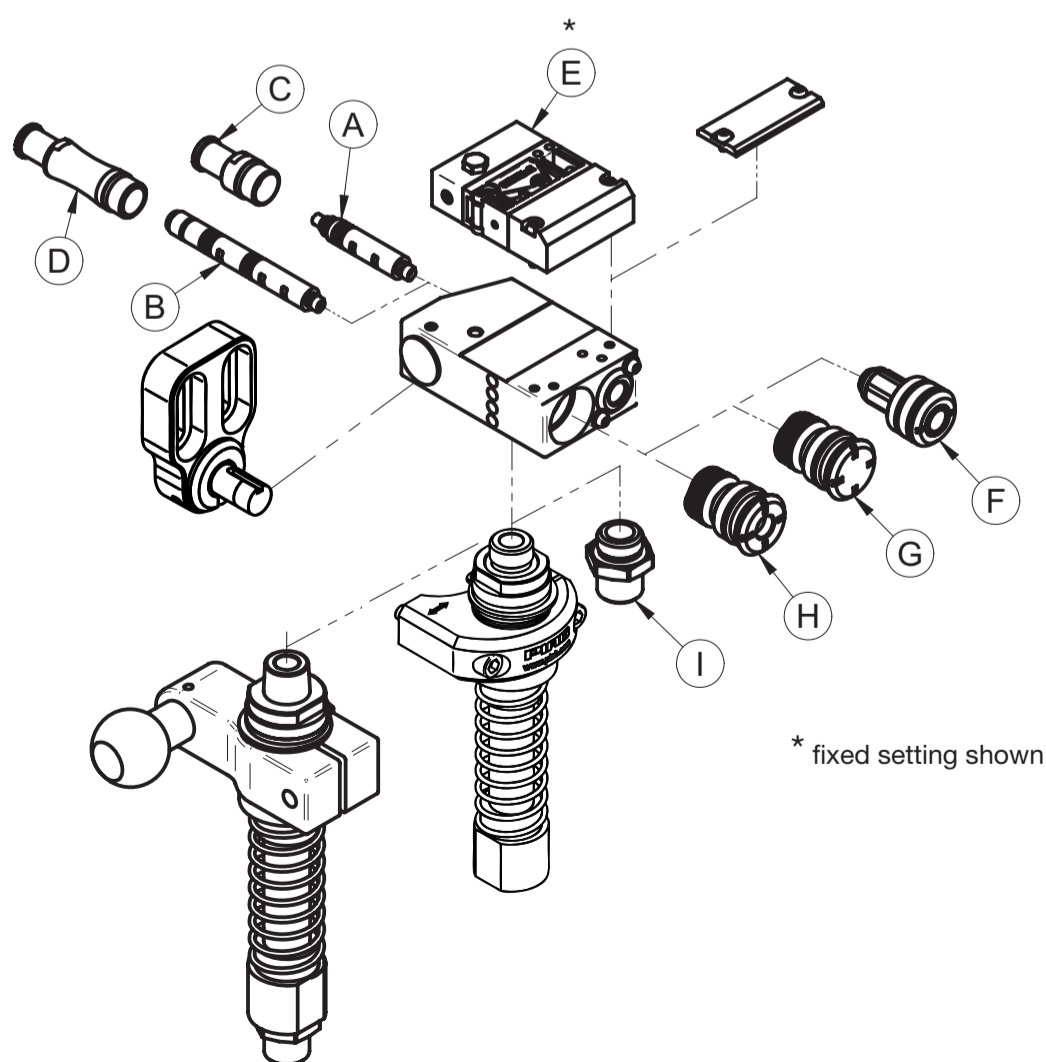
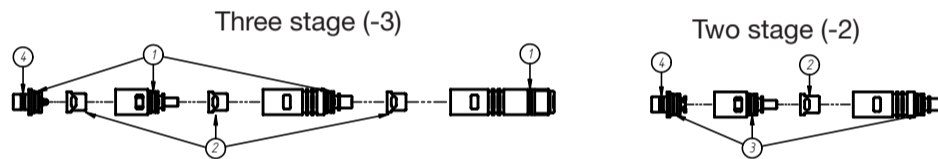


Left hand tooling view shown. Right hand tooling also available.

3. SPARE PARTS AND ACCESSORIES



Description	Art. No.
K Spare part kit COAX® cartridge MINI	0109532



Description	Art. No.
A COAX® cartridge MINI Pi12-2	0106922
A COAX® cartridge MINI Pi12-2 A (non-return valve)	0106963
A COAX® cartridge MINI Si08-2	0113583
A COAX® cartridge MINI Si08-2 A (non-return valve)	0113587
A COAX® cartridge MINI Xi10-2	0120284
A COAX® cartridge MINI Xi10-2 A (non-return valve)	0120280
B COAX® cartridge MINI Pi12-3	0106895
B COAX® cartridge MINI Pi12-3 A (non-return valve)	0106956
B COAX® cartridge MINI Si08-3	0113214
B COAX® cartridge MINI Si08-3 A (non-return valve)	0113575
B COAX® cartridge MINI Xi10-3	0120286
B COAX® cartridge MINI Xi10-3 A (non-return valve)	0120289
C Cartridge holder Mini-2 cpl	0106921
D Cartridge holder Mini-3 cpl	0106896
A+C COAX® cartridge MINI Pi12-2 C (complete)	0106924
A+C COAX® cartridge MINI Pi12-2 AC (complete, non return valve)	0106964
A+C COAX® cartridge MINI Si08-2 C (complete)	0113585
A+C COAX® cartridge MINI Si08-2 AC (complete, non return valve)	0113589
A+C COAX® cartridge MINI Xi10-2 C (complete)	0120294
A+C COAX® cartridge MINI Xi10-2 AC (complete, non return valve)	0120300
B+D COAX® cartridge MINI Pi12-3 C (complete)	0106923
B+D COAX® cartridge MINI Pi12-3 AC (complete, non return valve)	0106957
B+D COAX® cartridge MINI Si08-3 C (complete)	0113572
B+D COAX® cartridge MINI Si08-3 AC (complete, non return valve)	0113577
B+D COAX® cartridge MINI Xi10-3 C (complete)	0120299
B+D COAX® cartridge MINI Xi10-3 AC (complete, non return valve)	0120298
E Vacustat LH 65 -kPa	0121521
E Vacustat RH 65 -kPa	0121522
E Vacustat adjustable LH factory setting 45 -kPa	0121523
E Vacustat adjustable RH factory setting 45 -kPa	0121524
F Blow off check valve repair kit	0121527
G AQR 2 internal repair kit	0121525
H AQR 2 external repair kit	0121526
I Adaptor fitting G3/8"-3/8"NPT MM	0121240